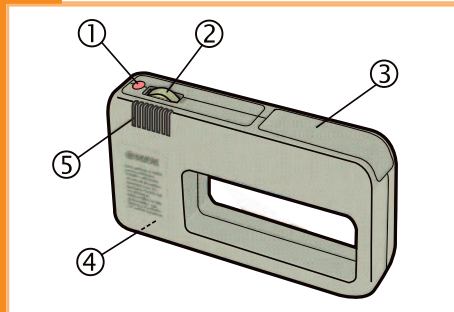


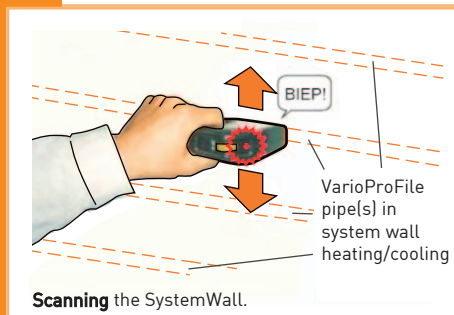
The Variotherm pipe locator locates the VarioProFile pipe 16x2 Laser of the system wall heating/cooling and the Variomodular pipe 11,6x1,5 Laser of the modular wall heating/cooling system and the modular ceiling cooling/heating system.

Caption



1. LED for displaying detected metal
2. Thumb wheel for switching on and adjusting the device
3. Cover for the battery compartment
4. Sensor unit for metal detection (installed in device)
5. Detection buzzer

Locating Variotherm pipes



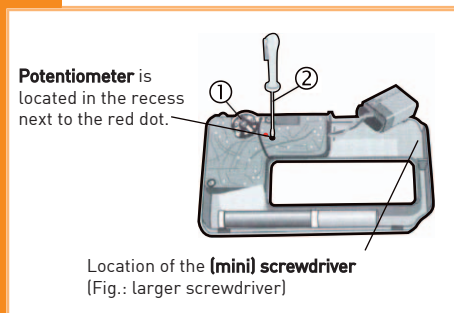
- Switch on device with the thumb wheel (device requires a charged battery).
- Continue turning wheel until the LED lights up and the buzzer sounds.
- Slowly turn back the thumb wheel until the buzzer goes silent and the LED remains off. To practice this, use a visible piece of metal (for example a watch).
- When locating pipes under the heating/cooling surfaces, hold the device parallel to the pipe routing → see picture on left. Let the device glide slowly and

smoothly over the surface. For a more precise localisation, the sensitivity of the device can be adjusted by turning the adjusting wheel.

Note: Incorrect operation, jerky movements or unfavourable environmental conditions may prevent the correct detection of metal. The manufacturer can therefore not assume any liability for a successful location.

- After using the device, switch it off with the thumb wheel.

Recalibrating the device



Due to the influence of variations in temperature, voltage or humidity, the LED or buzzer may not turn on or off after switching on the device. If the battery is working, the device needs to be recalibrated with the built-in resistor (potentiometer).

- Open the battery compartment, reach in and firmly pull the case halves apart.
- Turn thumb wheel (1) fully against the stops and then back again by half the distance.
- Using the small screwdriver (2) (contained in housing), set the variable resistor (potentiometer) so that the LED just about lights up.
- Slightly turn back the thumb wheel (1) (test: The LED has to turn off now), then switch off.
- Reassemble the casing. → The device is ready for operation.